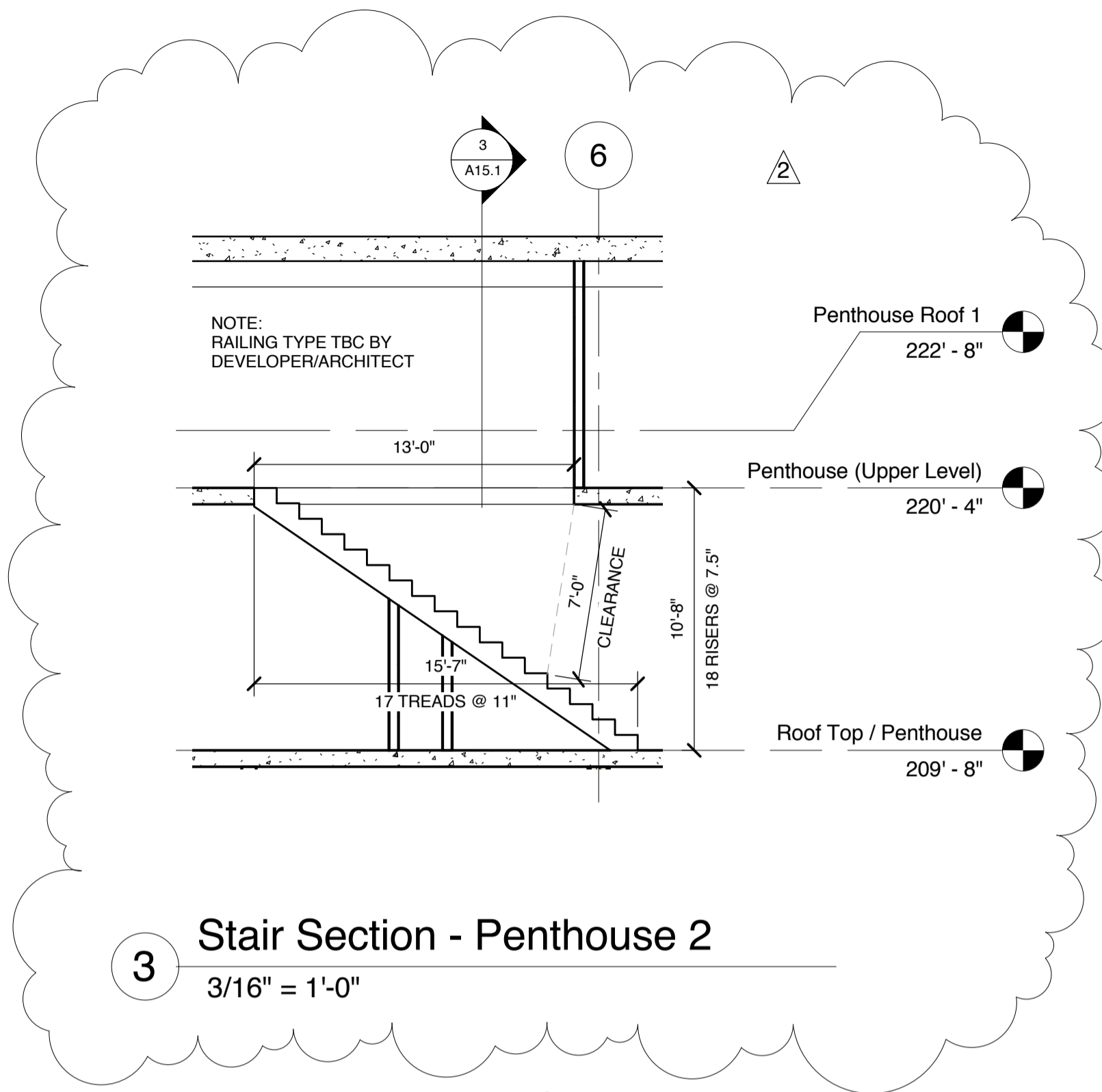
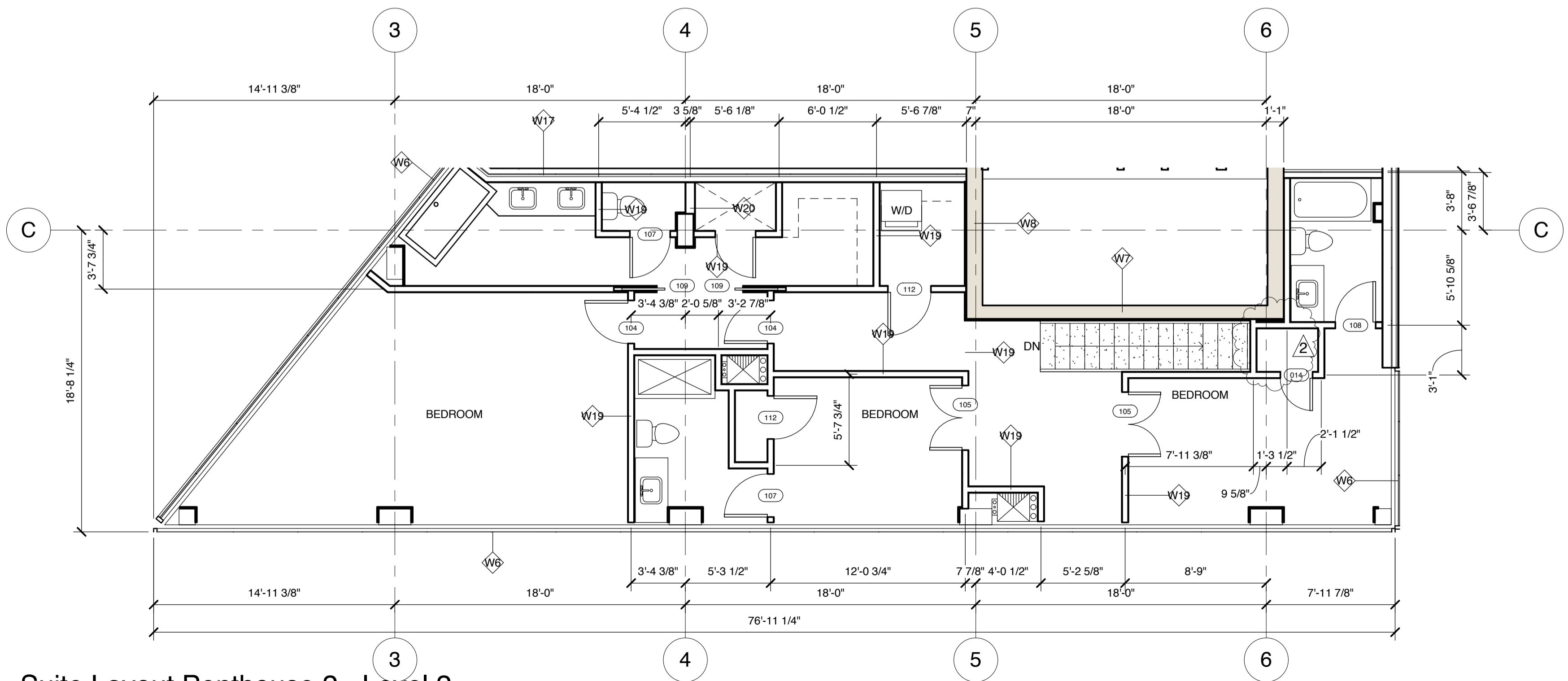


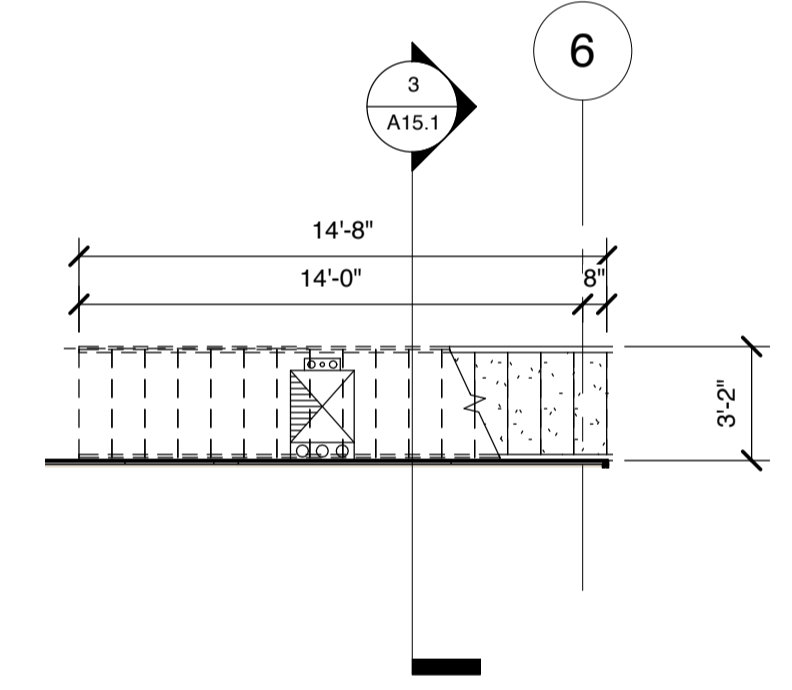
1 Suite Layout Penthouse 2
 3/16" = 1'-0"
 AREA - 1278 SQ.FT.



3 Stair Section - Penthouse 2
 3/16" = 1'-0"



2 Suite Layout Penthouse 2 - Level 2
 3/16" = 1'-0"
 AREA - 1276 SQ.FT.



4 Suite Layout Penthouse 2 - Stair Plan
 3/16" = 1'-0"