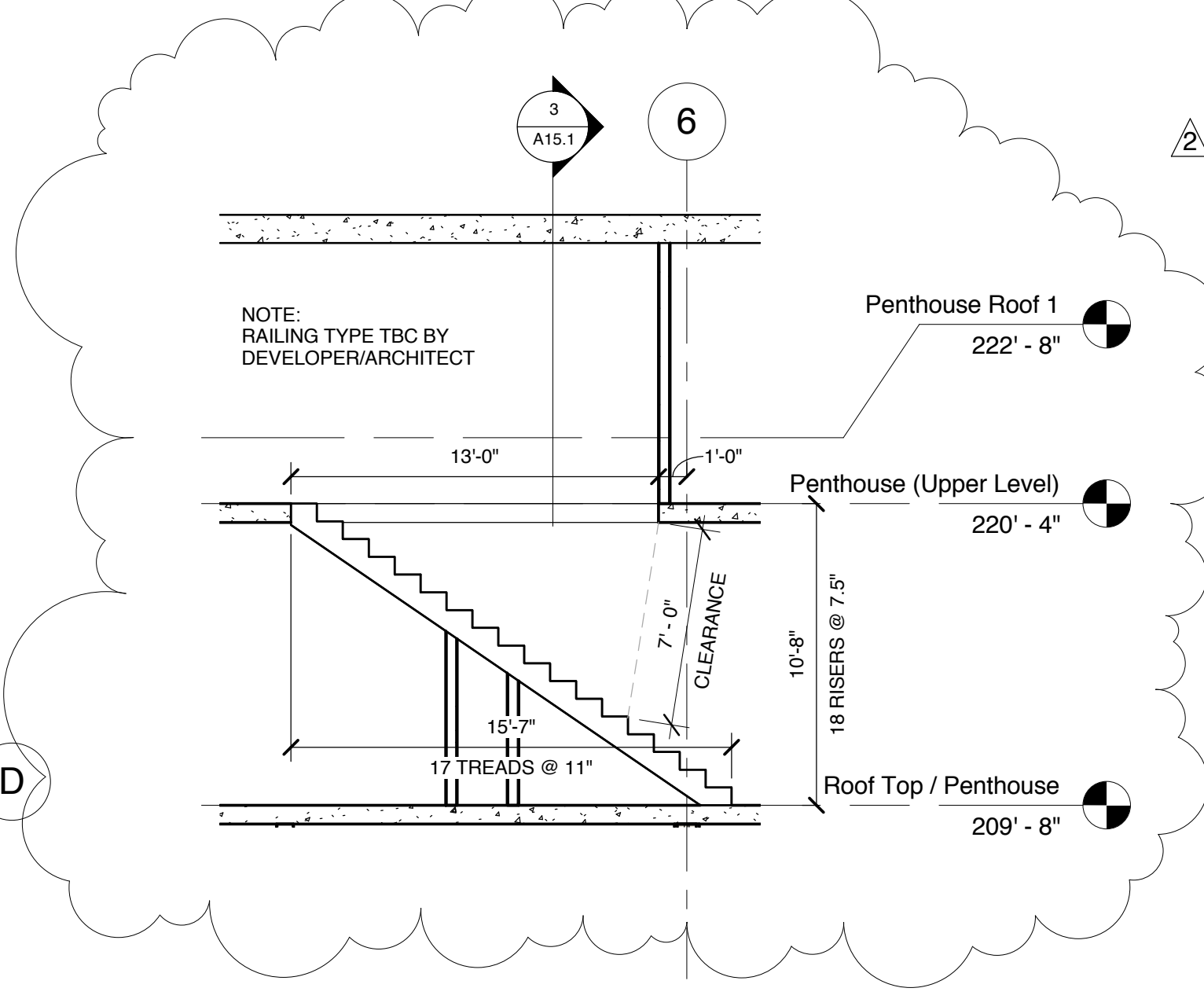
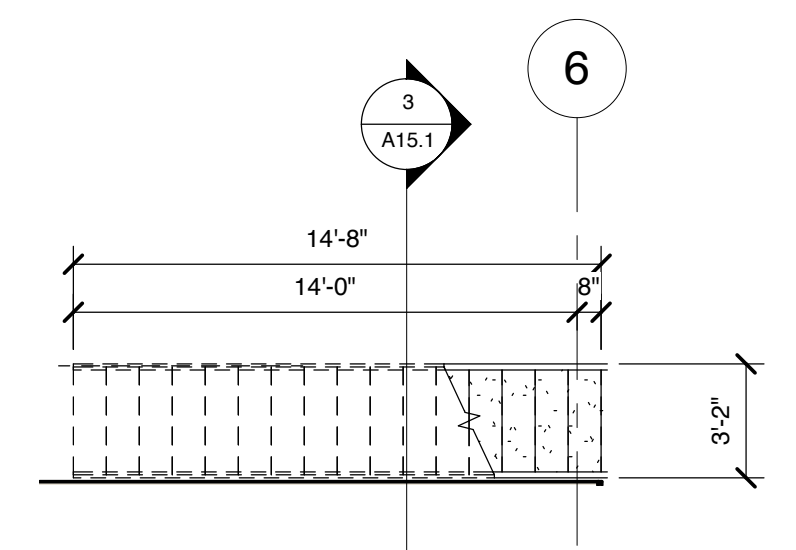


1 Suite Layout Penthouse 1
 3/16" = 1'-0"
 AREA - 954 SQ.FT.



3 Stair Section - Penthouse 1
 3/16" = 1'-0"



4 Suite Layout Penthouse 1 - Stair Plan
 3/16" = 1'-0"

